

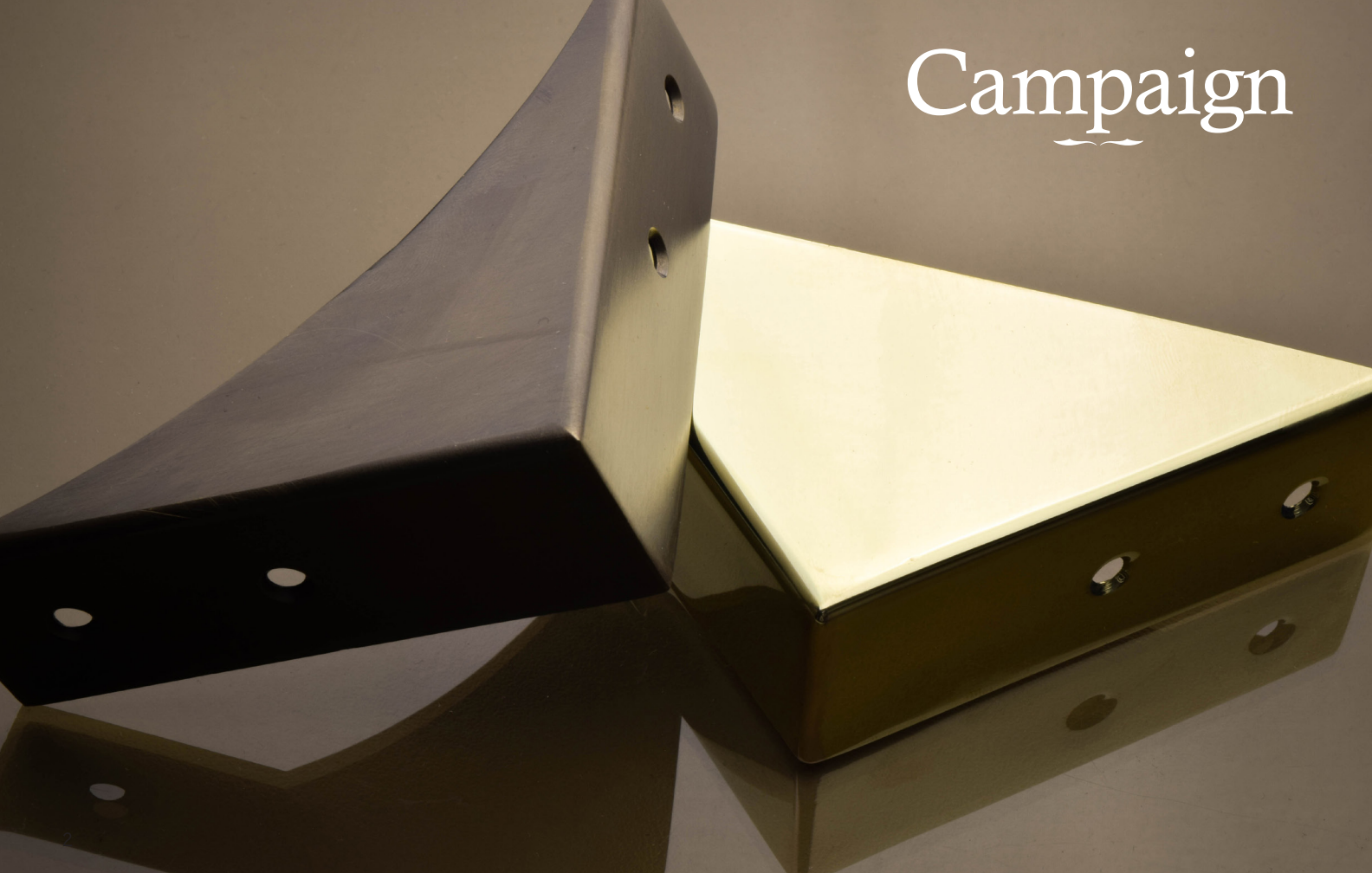
HORTON BRASSES, INC.

MAKERS OF FINE HARDWARE

~ SINCE 1936 ~

Digital Catalog 2019

Campaign



Circular Flush Ring Pulls

Our new campaign flush pulls have two different ring pulls and two bail pulls. The CFR series are very traditional and even lends itself well to nautical applications.

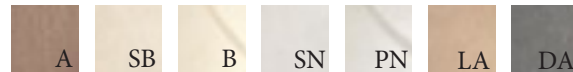
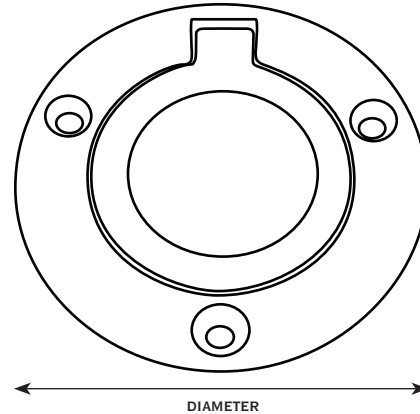
Available in all seven of our house finishes.



CFR-2 Polished Nickel

Pull Sizes

	diameter
CFR-1	1 $\frac{1}{2}$ "
CFR-2	1 $\frac{3}{4}$ "
CFR-3	2"



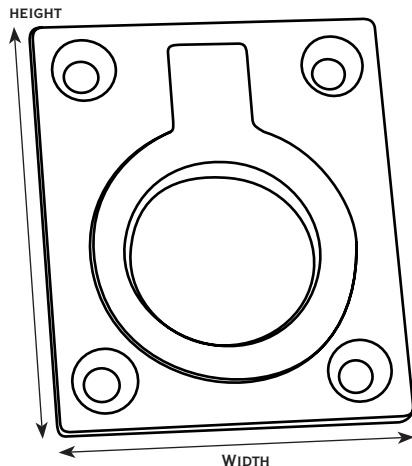
Available
Finishes

Flush Ring Pulls

Continuing with our campaign hardware, the rectangular ring pulls are authentic English campaign designs. Sand cast and available in any of our seven finishes.



Available
Finishes



Pull Sizes

FR-1 Flush Ring Pull

1 1/2" height, 1 1/4" width

FR-2 Flush Ring Pull

2" height, 1 1/2" width

FR-3 Flush Ring Pull

2 1/2" height, 2" width

See the rest of the finishes online at
www.horton-brasses.com/campaign-hardware.asp



FR-3 Light Antique

Recessed Pulls

The first of our campaign bail pulls, the FP series comes in four sizes and seven finishes to suit furniture and cabinetry. These campaign drawer pulls all mount flush with the material by mortising them in. This way nothing protrudes and nothing will catch in transit.



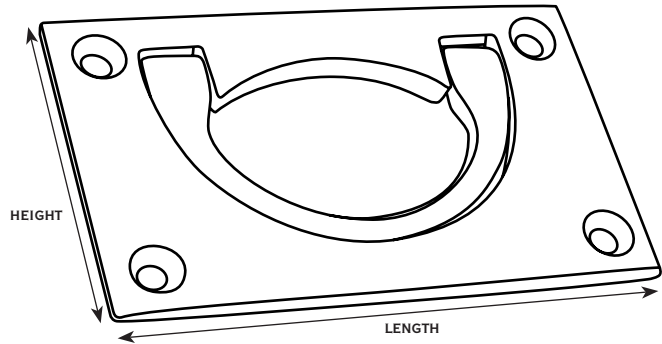
FP-3 Light Antique



Available
Finishes

Pull Sizes

	length	height
FP-1	2 $\frac{1}{2}$ "	1 $\frac{1}{8}$ "
FP-2	3"	1 $\frac{3}{4}$ "
FP-3	3 $\frac{1}{2}$ "	2" ⁴
FP-4	4"	2 $\frac{1}{8}$ "



Octagonal Flush Handle

The octagonal flush pulls are probably the most iconic campaign pattern hardware. Seen throughout the 1800's everywhere the British Empire went. Today we see them on furniture and built-in cabinetry. They sparkle in the modern nickel finishes as well.

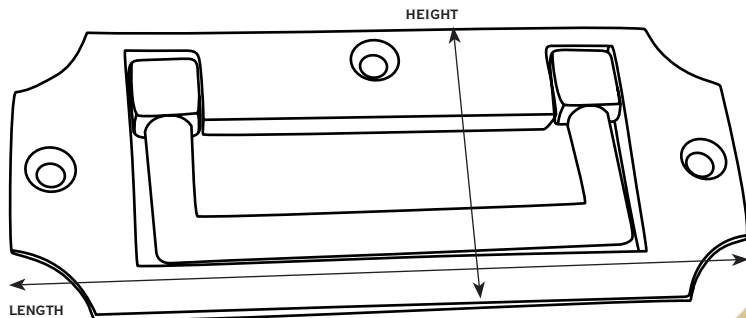
Pull Sizes

OFP-1 $3\frac{1}{2}$ " Octagonal Flush Handle

$3\frac{1}{4}$ " length, $1\frac{3}{4}$ " height

OFP-2 $4\frac{1}{2}$ " Octagonal Flush Handle

$4\frac{1}{2}$ " length, $1\frac{7}{8}$ " height



Available
Finishes

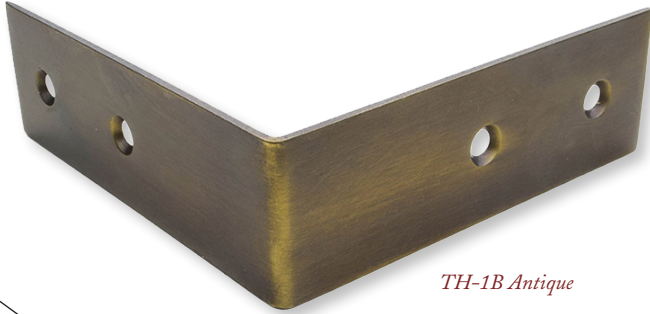


OFP-2 Light Antique

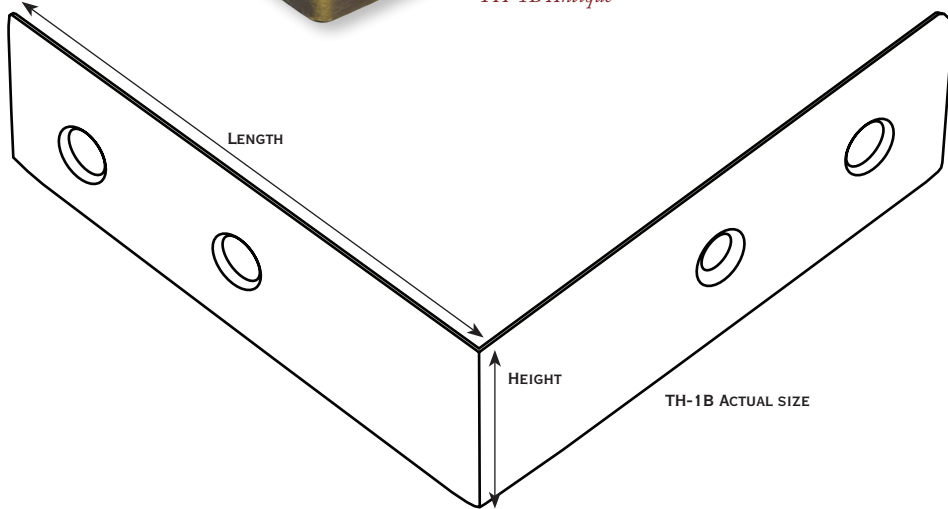


L-Shaped Corner Brackets

Hardware from antique trunks and campaign style furniture is the template for our trunk corners. As durable and attractive furniture trim, these corners are crafted out of $\frac{1}{16}$ " thick brass, with a finish hand-applied. Choose from antique, light antique, dark antique, semi-bright, nickel or bright finishes for a set. Long-lasting and dependable, all pieces are constructed well, instead of being flimsy stampings. This entire product line can be easily customized as well.



TH-1B Antique



Dimensions

	length	height
TH-1B	3"	1"
TH-2B	2"	$\frac{3}{4}$ "

Available
Finishes



*Hardware shown in the Antique finish.
See the rest of the finishes online at
www.horton-brasses.com/trunkbrackets.asp*

Flat L-Brackets

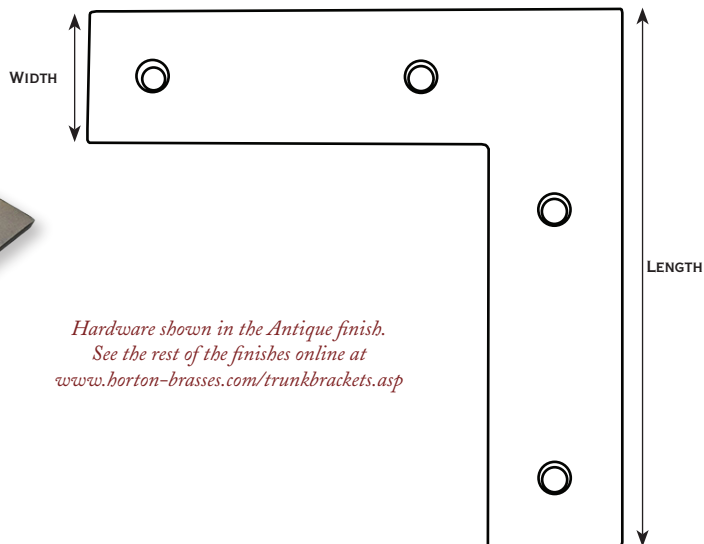
Flat L-brackets to go with our campaign hardware. This line changed a while back and we are now laser cutting these locally. The fit and finish is superb and compliment the campaign pulls perfectly.

Dimensions

	length	width
TH-5B	4"	1"
TH-6B	3"	$\frac{3}{4}$ "



TH-5B Antique



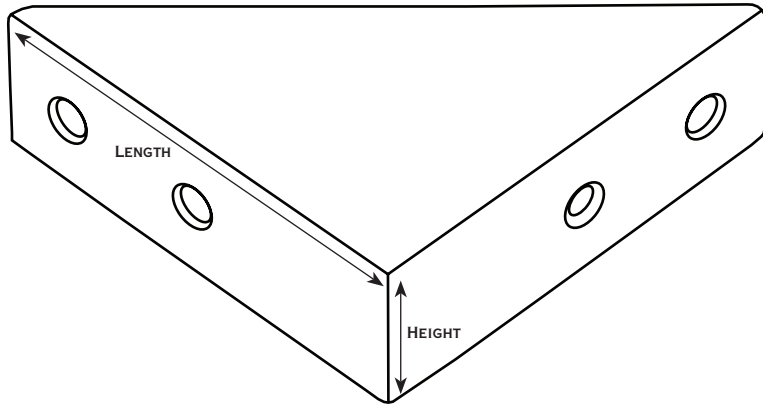
*Hardware shown in the Antique finish.
See the rest of the finishes online at
www.horton-brasses.com/trunkbrackets.asp*

Solid Brass Box Corners

Three sided corners in two sizes. Each is laser cut, bent, and then welded here in our shop. These thick handmade corners are nothing like the thin stampings you see elsewhere. Available in all five of our brass finishes as well as two custom nickel plated options.

Dimensions

	length	height
TH-10B	3"	1"
TH-11B	2"	$\frac{3}{4}$ "



TH-10B Light Antique

Available
Finishes



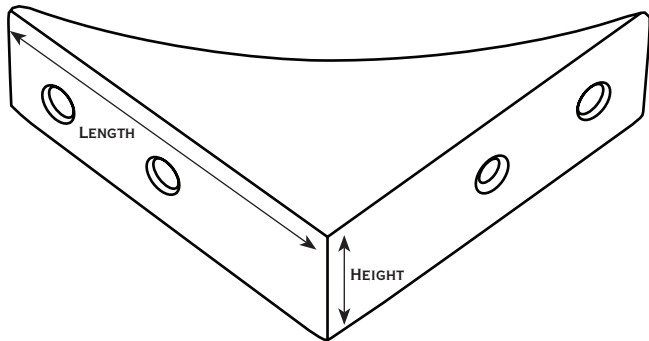
*Hardware shown in the Light Antique finish.
See the rest of the finishes online at
www.horton-brasses.com/trunkcorners.asp*

Curved Edge Box Corners

Our curved three-sided corner is made the same way as our straight corners-laser cut, bent, and welded for a more elegant look. Choose from all five of our house brass finishes as well as two nickel plated options.

Dimensions

	length	height
TH-50B	3"	1"
TH-51B	2"	$\frac{3}{4}$ "



TH-50B Antique

Available
Finishes



Solid Brass Flat T-Brackets

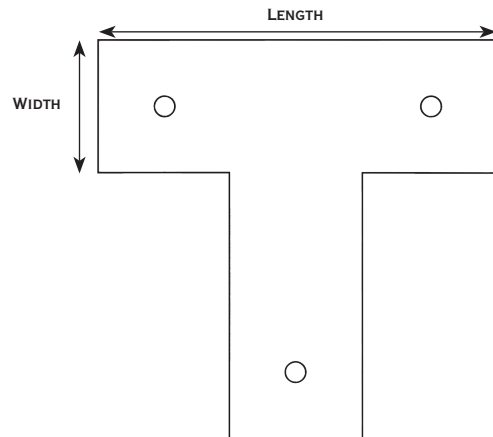
Flat T shapes in two sizes fit nicely on face frames between drawers. The smaller size is made for $\frac{3}{4}$ " material while the larger fits 1" wood perfectly. Available in all five brass finishes as well as two custom nickel plated options.

Dimensions

	length	width
TH-60B	3"	1"
TH-61B	2"	$\frac{3}{4}$ "



TH-60B Light Antique



Available
Finishes



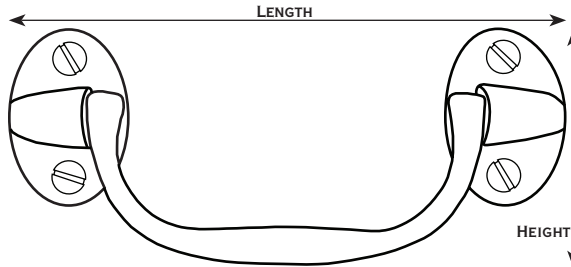
Cast Brass Rosette Chest Lifts

Beautiful antique chest lifts in four sizes. Solid brass rosette back plates are attached by slotted brass wood screws. The smaller sizes are used on jewelry chests, silver chests, and boxes of all types. The large lifts are for trunks and the sides of case pieces.

Our chest lifts are designed to give a hand hold for moving a piece of furniture. It is not designed for bearing weight. Any piece of furniture should be lifted from the bottom and balanced with a chest lift.

Dimensions

	length	height	projection
H-557	3 $\frac{1}{4}$ "	1 $\frac{1}{8}$ "	1 $\frac{1}{4}$ "
H-558	4"	1 $\frac{5}{8}$ "	3 $\frac{3}{8}$ "
H-558L	4 $\frac{1}{2}$ "	1 $\frac{7}{8}$ "	1 $\frac{1}{8}$ "
CL-561	6"	2 $\frac{1}{4}$ "	5 $\frac{2}{8}$ "



H-558 Light Antique



CL-561 Antique

Available
Finishes



