

HORTON BRASSES, INC.

MAKERS OF FINE HARDWARE

~ SINCE 1936 ~

Digital Catalog 2019

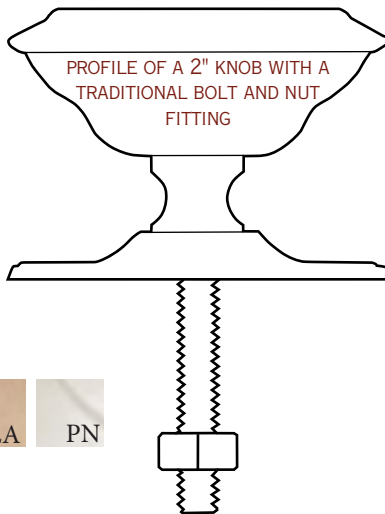
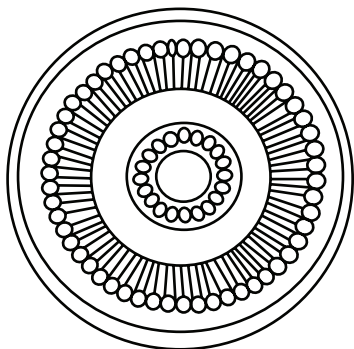
Sheraton



H-30 Sheraton Knob

Sheraton knobs are beautiful and have many applications. Use them on dresser drawers, kitchen cabinets, cupboard doors or bathroom vanities.

Our Sheraton knobs are made just like the originals: stamped from a sheet of solid brass and supplied with a backplate of the same diameter. If you prefer a larger or smaller backplate, please let us know. We will be happy to substitute one for the other at no additional charge.

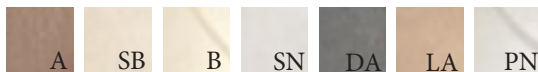


Dimensions

	diameter	back plate	projection
H-30 1"	1"	1"	$\frac{7}{8}$ "
H-30 1 $\frac{1}{4}$ "	1 $\frac{1}{4}$ "	1 $\frac{1}{4}$ "	1"
H-30 1 $\frac{1}{2}$ "	1 $\frac{1}{2}$ "	1 $\frac{1}{2}$ "	1 $\frac{1}{8}$ "
H-30 1 $\frac{3}{4}$ "	1 $\frac{3}{4}$ "	1 $\frac{3}{4}$ "	1 $\frac{1}{8}$ "
H-30 2"	2"	2"	1 $\frac{3}{8}$ "

*Hardware shown in the Light Antique finish.
See the rest of the finishes online at
www.horton-brasses.com/sheratonknobs.asp*

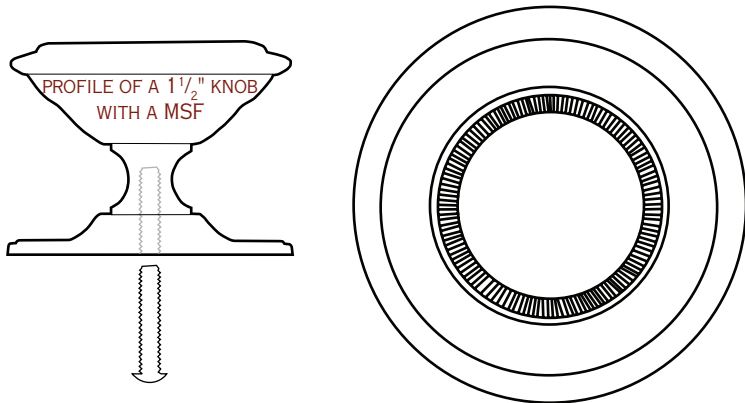
Available
Finishes



H-46 Sheraton Knob

Sheraton knobs are beautiful and have many applications. Use them on dresser drawers, kitchen cabinets, cupboard doors or bathroom vanities.

Our Sheraton knobs are made just like the originals: stamped from a sheet of solid brass and supplied with a backplate of the same diameter. If you prefer a larger or smaller backplate, please let us know. We will be happy to substitute one for the other at no additional charge.



Dimensions

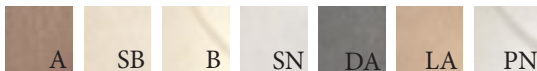
	diameter	back plate	projection
H-46 1"	1"	1"	$\frac{7}{8}$ "
H-46 $1\frac{1}{2}$ "	$1\frac{1}{2}$ "	$1\frac{1}{2}$ "	1"
H-46 $1\frac{3}{4}$ "	$1\frac{3}{4}$ "	$1\frac{3}{4}$ "	$1\frac{1}{4}$ "
H-46 2"	2"	2"	$1\frac{3}{8}$ "

Hardware shown in the Dark Antique finish.

See the rest of the finishes online at

www.horton-brasses.com/sheratonknobs.asp

Available
Finishes

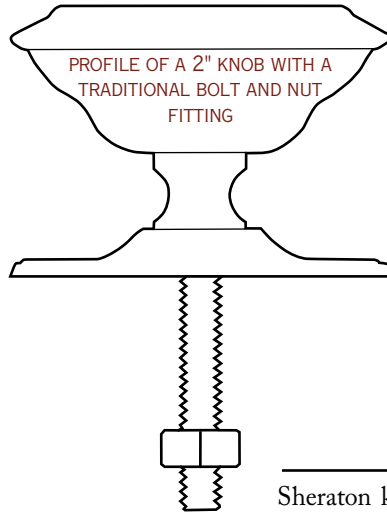


HORTON
BRASSES, INC.

Available
Finishes



*Hardware shown in the Light Antique finish.
See the rest of the finishes online at
www.horton-brasses.com/sheratonknobs.asp*



H-47 Sheraton Knob

Sheraton knobs are beautiful and have many applications. Use them on dresser drawers, kitchen cabinets, cupboard doors or bathroom vanities.

Our Sheraton knobs are made just like the originals: stamped from a sheet of solid brass and supplied with a backplate of the same diameter. If you prefer a larger or smaller backplate, please let us know. We will be happy to substitute one for the other at no additional charge.

Dimensions

	diameter	back plate	projection
H-47 1 $\frac{1}{4}$ "	1 $\frac{1}{4}$ "	1 $\frac{1}{4}$ "	$\frac{7}{8}$ "
H-47 1 $\frac{1}{2}$ "	1 $\frac{1}{2}$ "	1 $\frac{1}{2}$ "	1 $\frac{1}{8}$ "
H-47 2"	2"	2"	1 $\frac{1}{4}$ "

